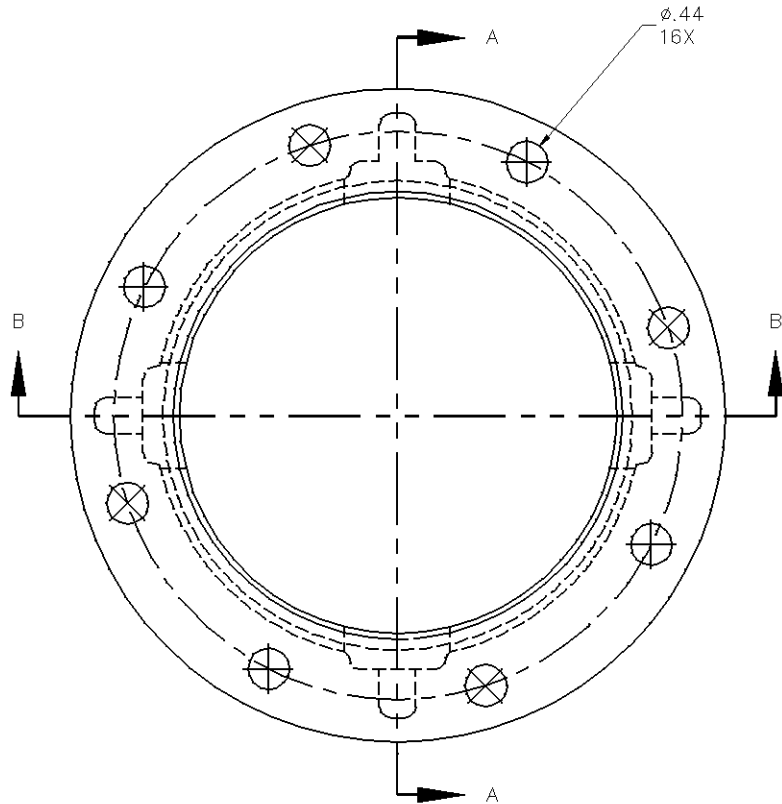
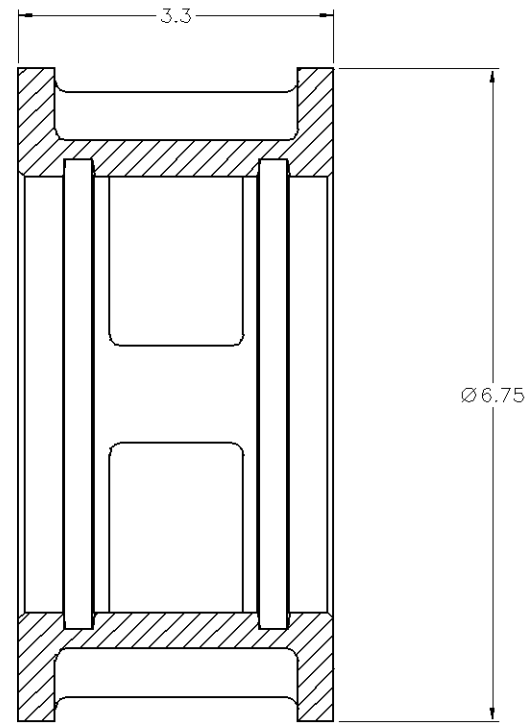


SECTION B-B



# TTF40WS

Aluminum 4" TTMA Flanged  
150 psi max



SECTION A-A